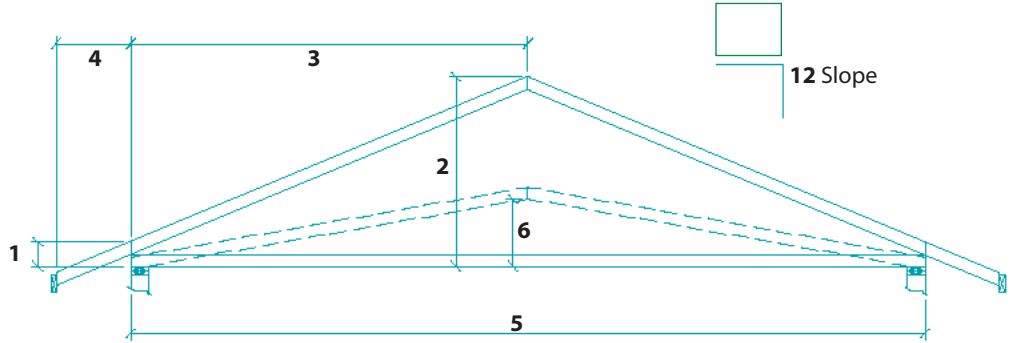


DATE _____ TAG NAME _____

TO _____ QUANTITY _____

FROM _____ COMPANY _____

- 1 Heel Height _____
- 2 Peak Height _____
- 3 Mid Span _____
- 4 Overhang _____
- 5 Overall Span _____
- 6 Vaulted Ceiling (Optional) _____



Spacing: 24" 48" 72" Other _____ " on centre

Truss Type: Common Scissor Attic Other _____

Building Type: Residential Commercial Agricultural

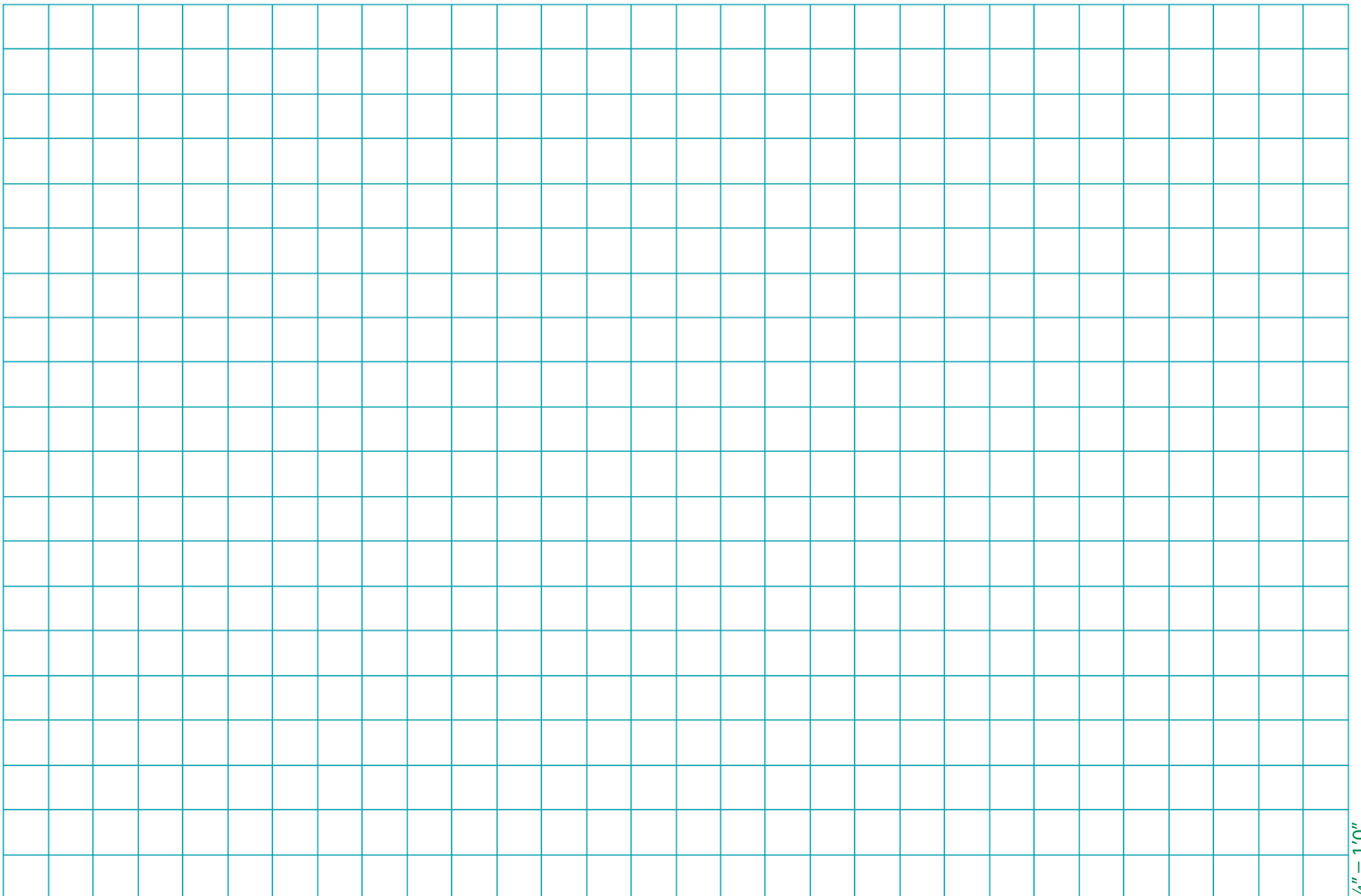
Gable End: No Yes (Dropped/Full height)

Ladders: No Yes

Roofing: Shingles Metal Other _____

Loading/Location: _____

Fascia (if matching exists): 1x6 2x6 Other _____



1/4" = 1'0"